



EMDPS-200

Differential Pressure Transmitter for Gas and Compressed Air

Applications:

- ▶ for HVAC-applications

Characteristics:

- ▶ piezoresistive silicon sensor
- ▶ differential pressure range 6 ... 1000 mbar

Technical Data



Input pressure range												
Nominal pressure P _N [mbar] (differential, gauge pressure)	6	10	16	25	40	60	100	160	250	400	600	1000
max. static pressure [mbar]	200	345	345	345	345	345	345	1000	1000	3000	3000	3000

Output signal / Supply		
Standard	3-wire: 0 ... 10 V	V _S = 19 ... 32 V _{DC}
Option	2-wire: 4 ... 20 mA	V _S = 11 ... 32 V _{DC}
	3-wire: 4 ... 20 mA	V _S = 19 ... 32 V _{DC}

Performance	
Accuracy	≤ ± 1% FSO BFSL
Permissible load	current 2-wire: R _{max} = [(V _S - V _{Smin}) / 0,02 A] Ω current 3-wire: 330 Ω voltage 3-wire: 10 kΩ
Influence effects	supply: ≤ ± 0.1 % FSO/10V load: ≤ ± 0.1 % FSO/kΩ
Response time (0 ... 100%)	2-wire: adjustable by potentiometer in the range of 500 msec up to 2.5 sec 3-wire: adjustable by potentiometer in the range of 50 msec up to 2.5 sec
Long term stability	≤ ± 0.5 % FSO / year at reference conditions
Measuring rate	2-wire: 8 Hz 3-wire: 1 kHz

Thermal effects (offset and span)	
Thermal error in compensated range	≤ ± 0.3 % FSO / 10 K (typ.) 0 ... 50 °C

Permissible temperatures	
Medium	0 ... 50°C
Electronics / environment	0 ... 50°C
Storage	-10 ... 70°C

Electrical protection	
Short-circuit protection	permanent
Reverse polarity protection	no damage, but also no function
Electromagnetic protection	emission and immunity according to EN 61326

Materials	
Pressure port	brass nickel plated
Housing	ABS
Sensor	ceramic, silicon, epoxy, RTV
Media wetted parts	pressure port, PVC / silicone tube, sensor

EMDPS-200

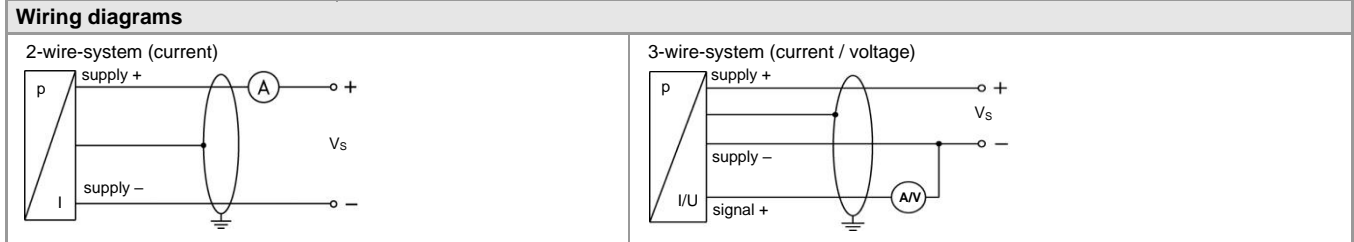
Differential Pressure Transmitter

Technical Data

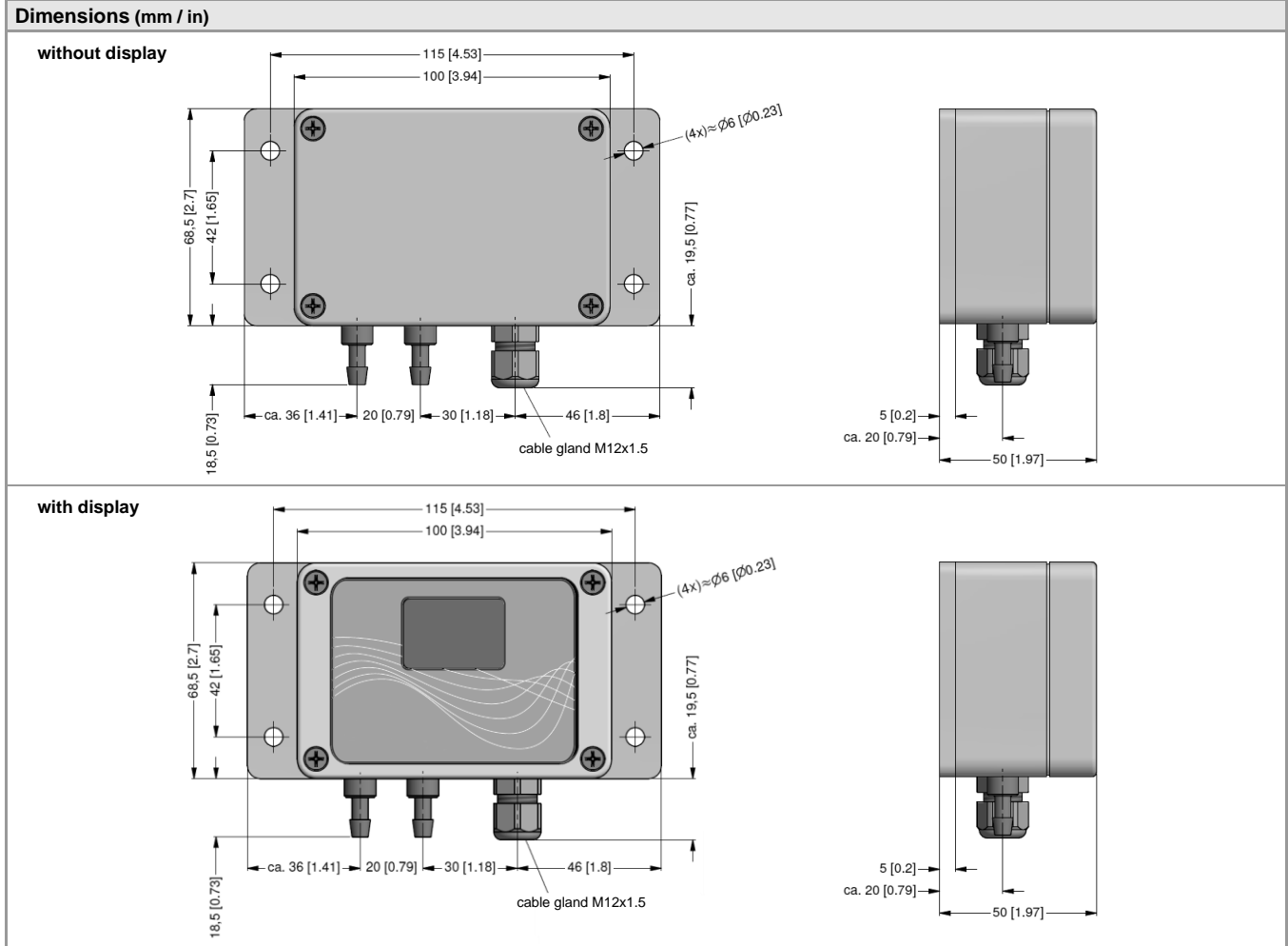
Miscellaneous	
LC-Display (optional)	visible range 32.5 x 22.5 mm; 5-digit 7-segment-main display, digit size 8 mm; 8-digit 14-segment-additional display, digit size 5 mm; 52-segment-bargraph
Current consumption	2-wire: signal output current: max. 22 mA 3-wire: signal output current: max. 30 mA signal output voltage: 7.5 mA (20 mA short circuit) display: + 1 mA
Units	following units can be set at factory: [bar], [mbar], [PSI], [Inch Hg], [cm Hg], [mm Hg], [hPa], [kPa], [MPa], [mH ₂ O], [Pa], [mmH ₂ O]
Ingress protection	IP 54
Weight	approx. 165 g
Installation position	vertical ¹
Operational life	100 million load cycles

¹ The devices are calibrated in a vertical position with the pressure port down. If this position is changed on installation there can be slight deviations in the zero point.

Mechanical connections (dimensions in mm)	
Standard	Ø 6.6 x 11 (for flex. tubes Ø 6)
Option	Ø 4.4 x 10 (for flex. tubes Ø 4)



Pin configuration		
Electrical connections	terminals 2-wire-system	terminals 3-wire-system
supply +	2 / +	2 / V _{S+}
supply -	3 / -	3 / V _{S-}
signal + (only for 3-wire)	1 (not connected)	1 / SIG



electro-mation
... Luftmesstechnik

ELECTRO-MATION GmbH
Münsterstr. 23-25
22529 Hamburg
GERMANY

Tel. 040 / 850-2320
Fax 040 / 850-4114
info@electro-mation.de
www.electro-mation.de

Ordering code EMDPS-200

EMDPS-200



Pressure											
	differential pressure	8	1	0							
	gauge pressure	8	1	1							consult
Input [mbar]											
	6	0	0	6	0						
	10	0	1	0	0						
	16	0	1	6	0						
	25	0	2	5	0						
	40	0	4	0	0						
	60	0	6	0	0						
	100	1	0	0	0						
	160	1	6	0	0						
	250	2	5	0	0						
	400	4	0	0	0						
	600	6	0	0	0						
	1000	1	0	0	1						
	customer	9	9	9	9						consult
Output											
	0 ... 10 V / 3-wire					3					
	4 ... 20 mA / 2-wire					1					
	4 ... 20 mA / 3-wire					7					
	customer					9					consult
Accuracy											
	1 % FSO BFSL							G			
Display											
	without display							0			
	LC display							C			
	customer							9			consult
Front foil											
	manufacturer logo							1			
	neutral							N			
	customer							9			consult
Mechanical connection											
	Ø6.6 x 11 (for flex. tubes Ø6)							Y	0	0	
	Ø4.4 x 10 (for flex. tubes Ø4)							Y	0	2	
								9	9	9	consult
Pressure port											
	brass nickel plated									M	
	customer									9	consult
Special version											
	standard								0	0	0
	customer								9	9	9
											consult

