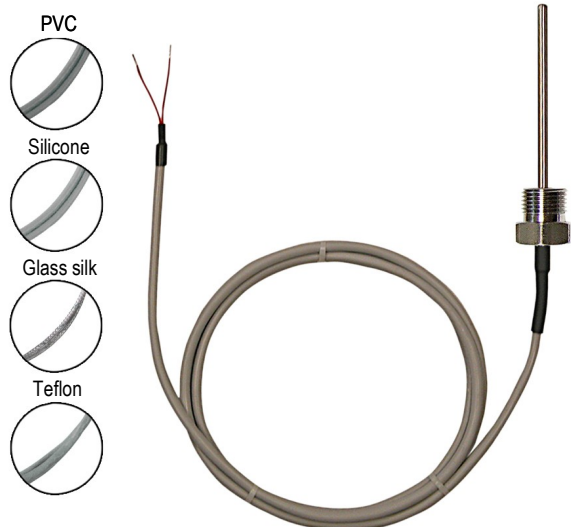


Temperature probe with cable at resistive element with fixing fitting



SFR 50 / SFRD 50

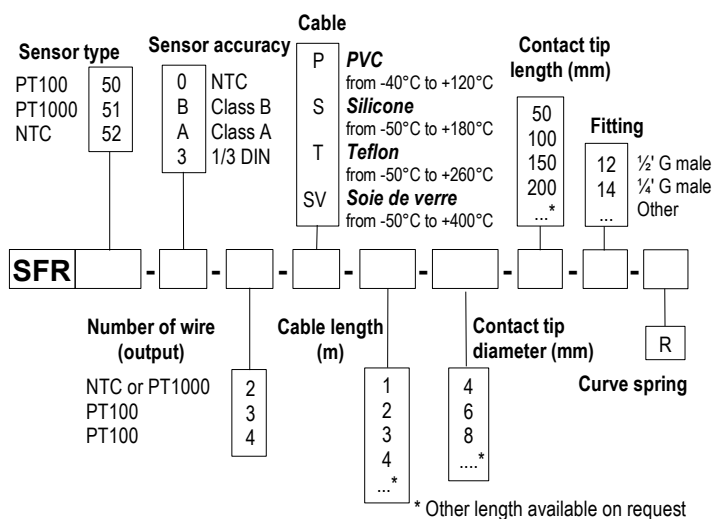


Probe features

- Temperature probe mounted on conductive cable with stainless steel contact tip and fitting.
- Measuring range (according to cable) :
 - from -50°C to +400°C (PT100 and PT1000).
 - from -20°C to +120°C (NTC).
- 2 wires (SFR) or 4 wires (SFRD) for NTC and PT1000 outputs
- 3 - 4 wires (SFR) or 6 wires (SFRD) for PT100 output.
- For other resistance types PT25, PT50, PT500, PT200 or NI, please contact us.

Part numbers

SFR 50 – Simple pair probe -



Example : SFR51-B-2-P-1-4-100-12

Model : PT1000 temperature probe, Class B, 2 wires, PVC cable of 1m length. Stainless steel contact tip of 4 mm Ø, length 100 mm, fitting process with ½ G thread, without curve spring. Measuring range from -40 to +120°C.

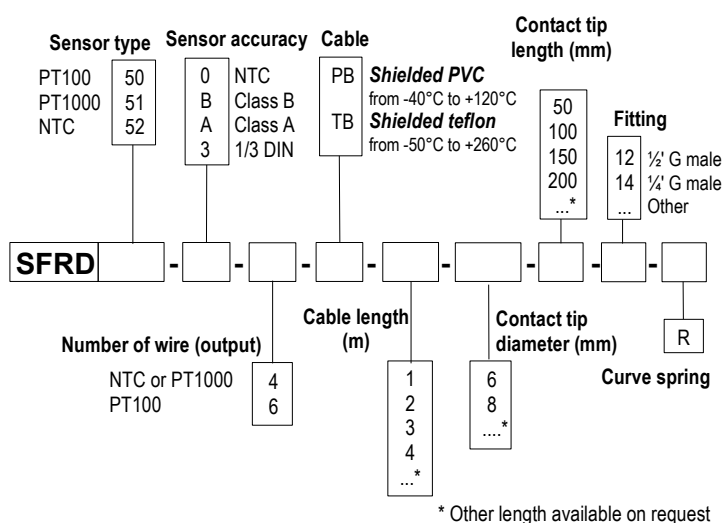
Technical features

- Operating temperature.....from -50°C to +400°C (PT100 and PT1000)
 - (According to cable) from -20°C to +120°C (NTC)
- Accuracy *.....PT100 or PT1000 : see "Tolerances" table
 - NTC : see "Tolerances" table
- Sensor type.....PT100 or PT1000 : class B, class A and 1/10 DIN as per IEC751
 - NTC : resistance at 25°C, R₂₅ = 10KΩ Nominal
 - Beta value B25/85 = 3,695K ±1%
- Storage temperature.....from -20°C to +80°C
- Operating temperature of cable.....
 - PVC : from -40°C to +120°C
 - Silicone : from -50°C to +180°C
 - Teflon (PFA) : from -50°C to +260°C (Shielded is optional)
 - Glass silk with stainless steel sheet : from -50°C to +400°C
- Compression fitting.....inox 316 L
- Thread.....¼" or ½" Gas screw nut
- Contact tip.....316 L stain less steel, watertight crimping with heat shrink tubing. (Except glass silk cable with Standard mounting on stainless steel duct)
 - Optional : curve spring

No 4-wire mounting for 4mm Ø contact tip

*all accuracies indicated in this technical datasheet were stated in laboratory conditions, and can be guaranteed for measurements carried out in the same conditions, or carried out with calibration compensation.

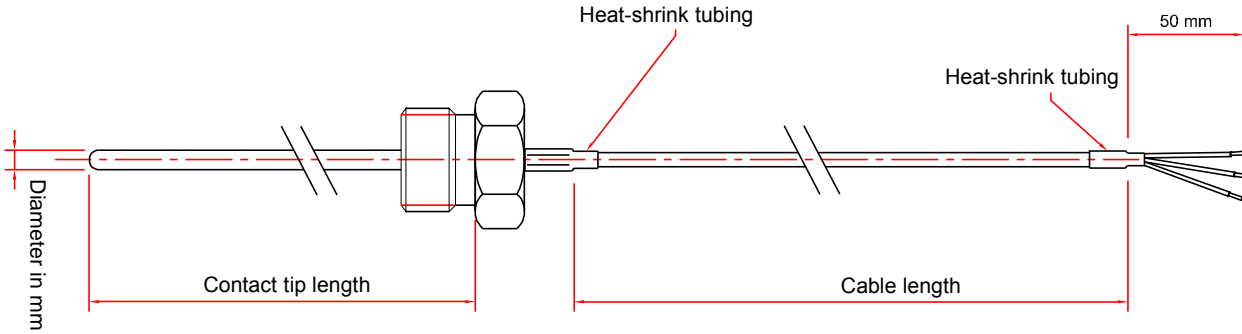
SFRD 50 – Multipair probe



Example : SFRD51-B-4-PB-1-6-100-12

Model : PT1000 temperature probe, Class B, 4 wires, shielded PVC cable of 1m length. Stainless steel contact tip of 6 mm Ø, length 100 mm, fitting process with ½ G thread, without curve spring. Measuring range from -40 to +120°C.

Probe dimensions



Tolerances* of PT100 and PT1000 probes.

As per IEC 751 (1993), BS 1904 (1984) and DIN 43760 (1980) norms.

Temp °C	Tolerances					
	Class B		Class A		1/3 DIN	
	± °C	± Ohms	± °C	± Ohms	± °C	± Ohms
-100	0,8	0,32	0,35	0,14	0,27	0,11
-50	0,55	0,22	0,25	0,1	0,19	0,08
0	0,3	0,12	0,15	0,06	0,1	0,04
100	0,8	0,3	0,35	0,13	0,27	0,1
200	1,3	0,48	0,55	0,2	0,44	0,16
300	1,8	0,64	0,75	0,27	0,6	0,21
400	2,3	0,79	0,95	0,33	0,77	0,26

Resistance values for PT1000 (Ω) must be multiplied by 10 for the same corresponding temperature value (°C). I.e. : at 0°C for PT1000 Class B ± 0,3°C → ± 1,2 Ω

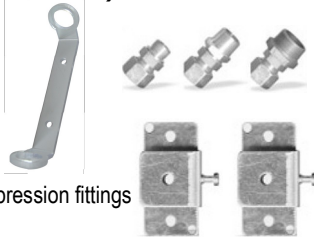
Tolerances* of NTC probes

Measuring range °C	Tolerances °C
from -20°C to 0°C	± 0,5°C
from 0°C to +70°C	± 0,2 °C
from +70°C to +100°C	± 0,5 °C

* Performed in laboratory conditions, the above accuracies mentioned in this document will be guaranteed, provided that you use the calibration compensation data or identical calibration conditions.

Accessories (See data sheet)

- Transmitter 4/20 mA or 0/10V output
- Wall mounting support
- Stainless steel mounting brackets
- ¼" or ½" Gas screw nut
- Compression fittings
- Teflon or stainless steel ferrule for compression fittings



- Sleeve to weld for food industry (avec manchon ½" G femelle à souder)
- Stainless steel junction fitting
- ½" Gas or NPT thread cuff
- Thermo-conducting silicone grease
- Calibration certificate
- Thermowell



electro-mation
... Luftmesstechnik

ELECTRO-MATION GmbH
Münsterstr. 23-25
22529 Hamburg
GERMANY

Tel. 040 / 850-2320
Fax 040/ 850-4114
info@electro-mation.de
www.electro-mation.de